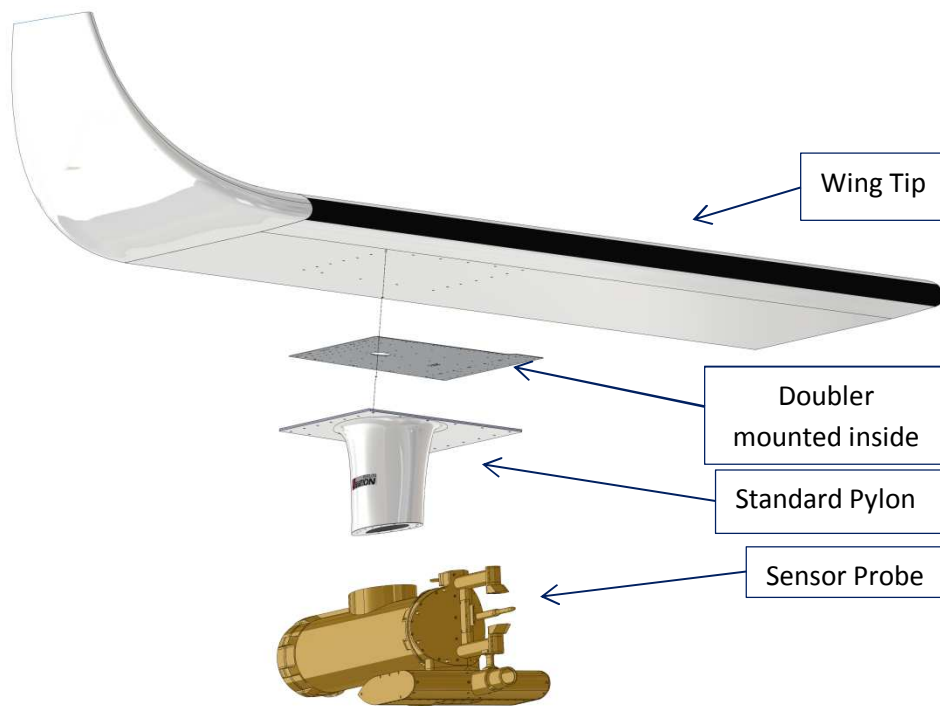


Modular concept for sensor mounting on wing tips for King Air Series

Modular concept to carry any sensors or measuring equipment on the wing tip of the King Air is available and certified with EASA STC. The concept involves a doubler to reinforce the wing structure and to install the fixations points and the pylon. The pylon has a standardized footprint and length or can be easily modified for other length and footprint.



Explosion view of the pylon with sensor probe (here CAPS-probe manufactured by Droplet Measurement Technologies)

Actions to install hard point with pylon

- De-installation of the wing tip
- Install doubler with mounting points for the pylon
- Mount the specified equipment on the specific pylon
- Mount pylon with sensors on the wing tip

**Modular concept for sensor mounting
on wing tips for King Air Series**

L/H wing tip with shorter pylon version equipped with a mounting platform for any kind of mission systems sheltered by a structural carbon reinforced fairing (total weight including equipment up to **60kg**)



This pylon is customized designed for the Hawkeye probe from SPEC inc. It is much shorter and carries a quick connection for the cable routing. The overall size and weight of the probe are **(810*406*165) mm** and **28.6 kg**. **Power and Fibre optics cables** are routed thru the wing.

Further possible pylon solutions for more than one sensor probe

